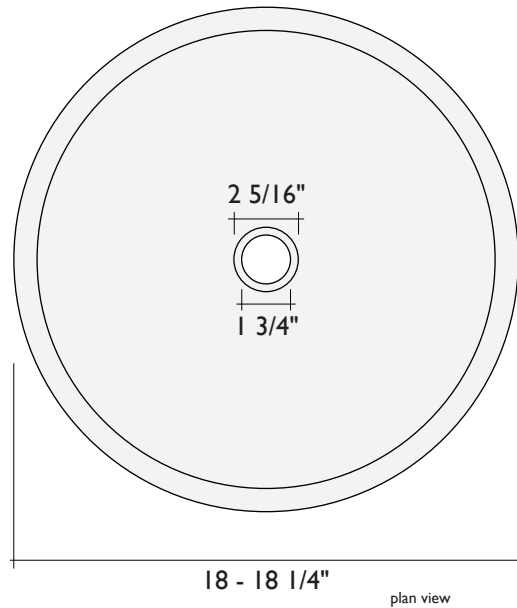


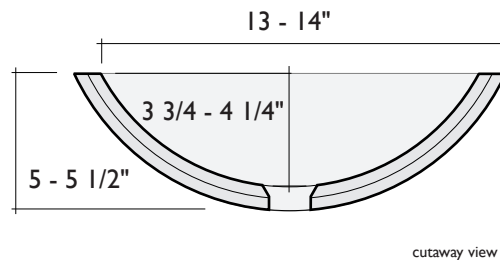
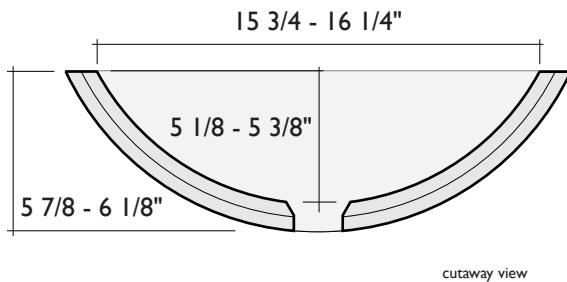
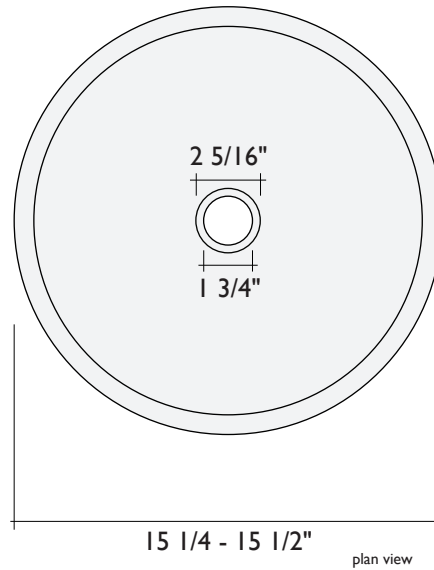


# SPECIFICATIONS: SINKS (ABOVE-COUNTER):

## STANDARD ROUND (18" DIAMETER)



## SMALL ROUND (15" DIAMETER)



## EDGES



Machine Polished (Misto & Glacier)



Erosion Edge (Fused)



Ground & Polished (Fused)

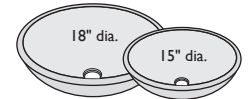


Ground & Polished (Gold & Platinum)

## ITEM NUMBERS:

Machine Polish

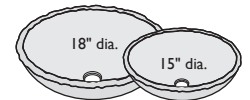
ABIX01.81  
ABIX02.81



Misto  
Glacier

Erosion Edge

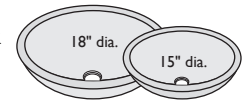
ABIX11.82  
ABIX12.82  
ABIX13.82  
ABIX14.82  
ABIX15.82  
ABIX21.82  
ABIX22.82



Velvet Cienega  
Coral Cienega  
Lava Cienega  
Cienega Ether  
Cienega Fireworks  
Burnished Fossil  
Fallen Leaves

Ground & Polished

ABIX02.83  
ABIX11.83  
ABIX12.83  
ABIX13.83  
ABIX14.83  
ABIX15.83  
ABIX21.83  
ABIX22.83  
ABIX41.83  
ABIX42.83



Glacier  
Velvet Cienega  
Coral Cienega  
Lava Cienega  
Cienega Ether  
Cienega Fireworks  
Burnished Fossil  
Fallen Leaves  
Pure Gold  
Platinum

For item number, replace 'X' with 1 for 18" diameter sinks, and 2 for 15" diameter sinks.

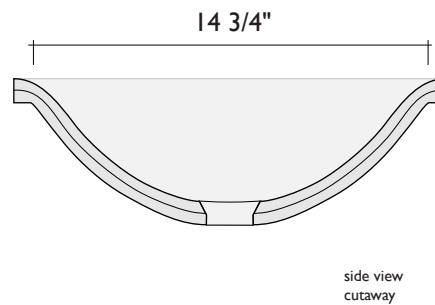
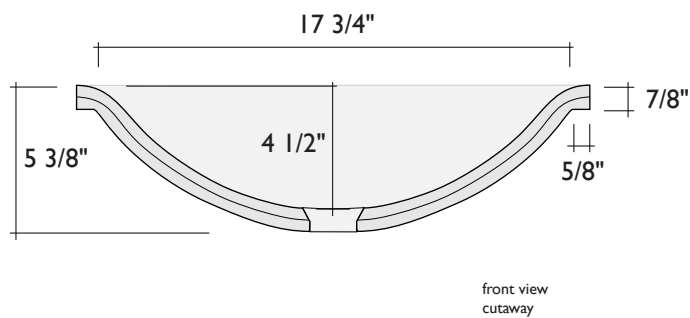
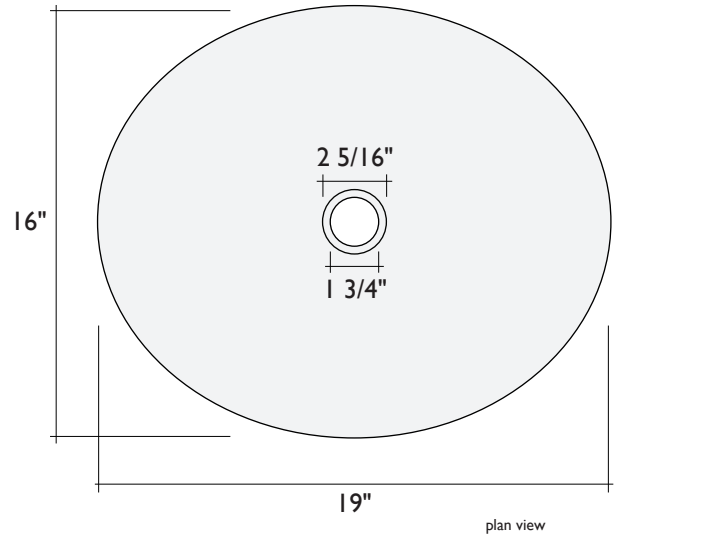
**NOTES:** Thickness is 1" for fused glass sinks (Cienega and Etched Metal designs), and 3/4" for monochrome (single layer) glass sinks (Misto, Glacier, Gold and Platinum). Above-Counter Sinks are round and do not have a flattened bottom. They should not be installed flush against a flat surface. Please see "Sink Care and Installation Instructions for important care and maintenance information, as well as "Installation Ideas for Above-Counter Sinks" for various solutions including pedestals, slumped or carved countertops, and Alchemy's Brass Donut mounting ring.

ALCHEMY  
GLASS & LIGHT  
[www.alchemyglass.com](http://www.alchemyglass.com)



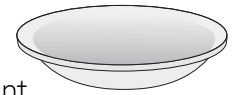
**SPECIFICATIONS: SINKS (IN-COUNTER/UNDERMOUNT):**

**OVAL IN-COUNTER  
(16" x 19")**



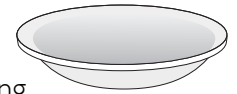
**ITEM NUMBERS:**

Oval Undermount



- ABI301.84 Misto
- ABI302.84 Glacier
- ABI313.84 Lava Cienega
- ABI315.84 Cienega Fireworks
- ABI321.84 Burnished Fossil
- ABI322.84 Fallen Leaves
- ABI341.84 Pure Gold
- ABI342.84 Platinum

Oval Self-Rimming



- ABI301.85 Misto
- ABI302.85 Glacier
- ABI313.85 Lava Cienega
- ABI315.85 Cienega Fireworks
- ABI321.85 Burnished Fossil
- ABI322.85 Fallen Leaves
- ABI341.85 Pure Gold
- ABI342.85 Platinum

In-Counter sinks have a lip permitting an installation either below, flush to, or dropped into a counter. For drop-in, the edge can be polished, otherwise it is left unpolished.

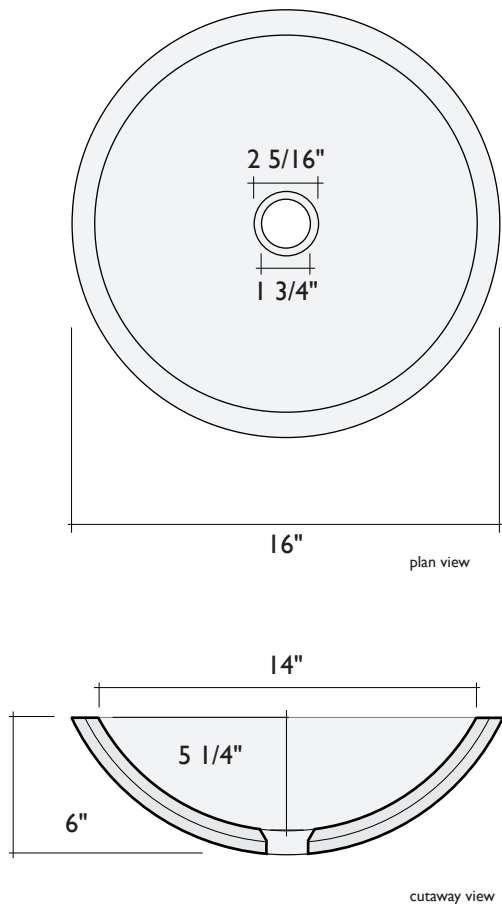
**NOTES:** Thickness is 1" for fused glass sinks (Cienega and Etched Metal designs), and 3/4" for monochrome (single layer) glass sinks (Misto, Glacier, Gold and Platinum). In-Counter sinks are supplied with undermount sink mounting clips as well as a cardboard template for countertop fabrication. Please see "In-Counter Sink Instructions" for installation, care, maintenance, and other information.

**ALCHEMY**  
GLASS & LIGHT  
[www.alchemyglass.com](http://www.alchemyglass.com)



# SPECIFICATIONS: SINKS (CAST BRONZE):

## BRONZE SINK



# ITEM NUMBERS:

Cast  
Bronze  
Sink



ABI251.86

Solid Bronze

**NOTES:** The Bronze sink is cast in solid bronze to roughly 3/4" thickness. Outer surface is textured while the inner surface is polished and buffed. Sink is finished with a rich bronze patina and then waxed. The sink includes a strainer drain cap in matching bronze patina. See "Bronze Sink Care Instructions" for more information.

ALCHEMY  
GLASS & LIGHT  
[www.alchemyglass.com](http://www.alchemyglass.com)