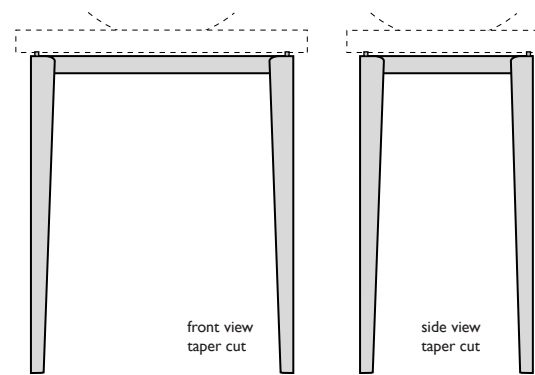
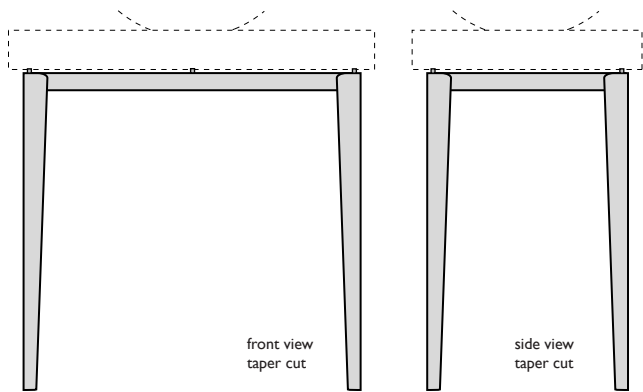
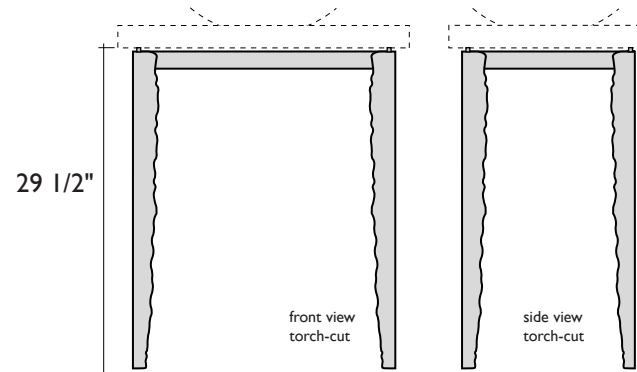
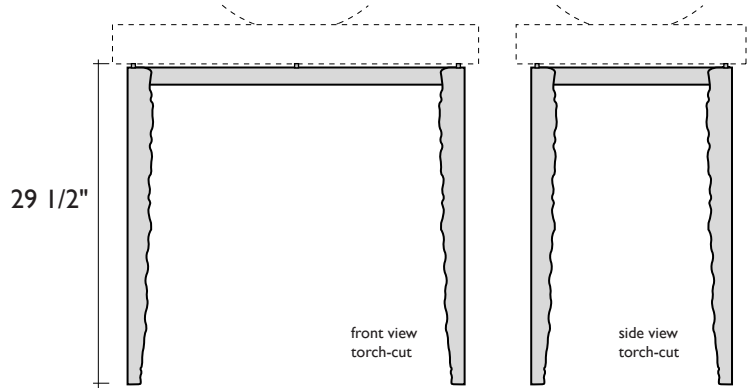
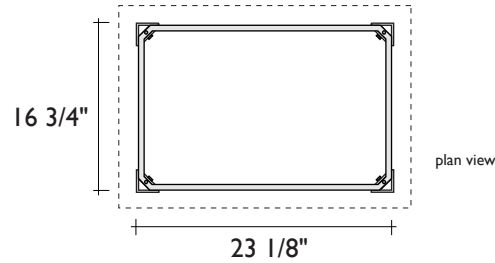
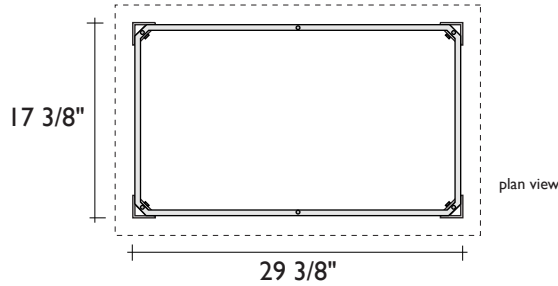




SPECIFICATIONS: STEEL VANITY BASE (FOR STONE TOPS):

BASE FOR 32X20 COUNTERTOP

BASE FOR 26X18 COUNTERTOP



ITEM NUMBERS:

Torch-Cut Legs
for 32x20
countertop



AB3376.67 Dark Bronze Patina

Taper Cut Legs
for 32x20
countertop



AB3377.67 Dark Bronze Patina

Torch-Cut Legs
for 26x18
countertop



AB3476.67 Dark Bronze Patina

Taper Cut Legs
for 26x18
countertop



AB3477.67 Dark Bronze Patina

NOTES: The Steel Vanity base is available with either Torch-Cut or straight Taper-Cut Legs that bolt on to a welded frame. It's designed to support Alchemy's stone countertops. The pieces are patinaed to a rich very dark brown and sealed with clear lacquer. Rubber bumpers threaded into the frame support the stone countertop. Custom sizes are available. For more information on assembling this vanity base, see "Steel Vanity Assembly Instructions."

ALCHEMY
GLASS & LIGHT
www.alchemyglass.com